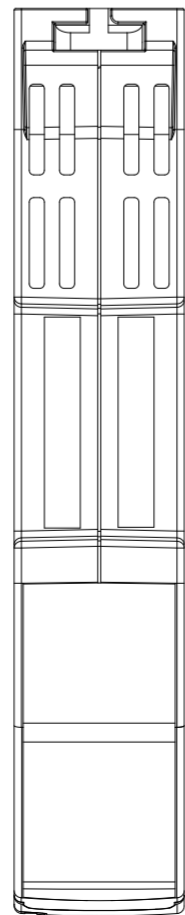
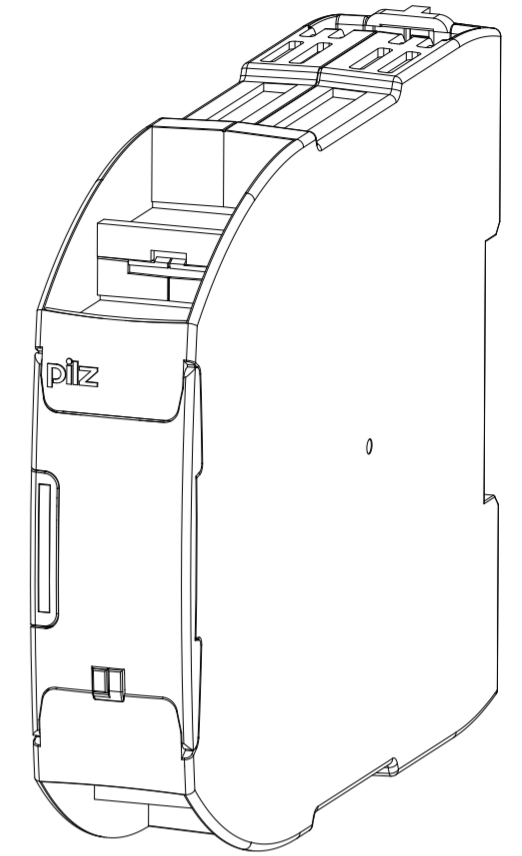
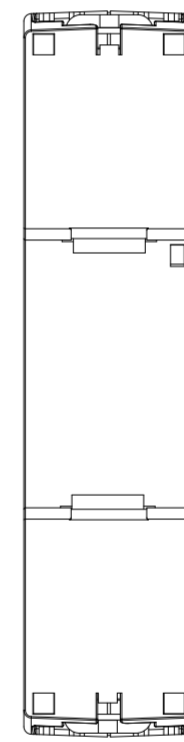
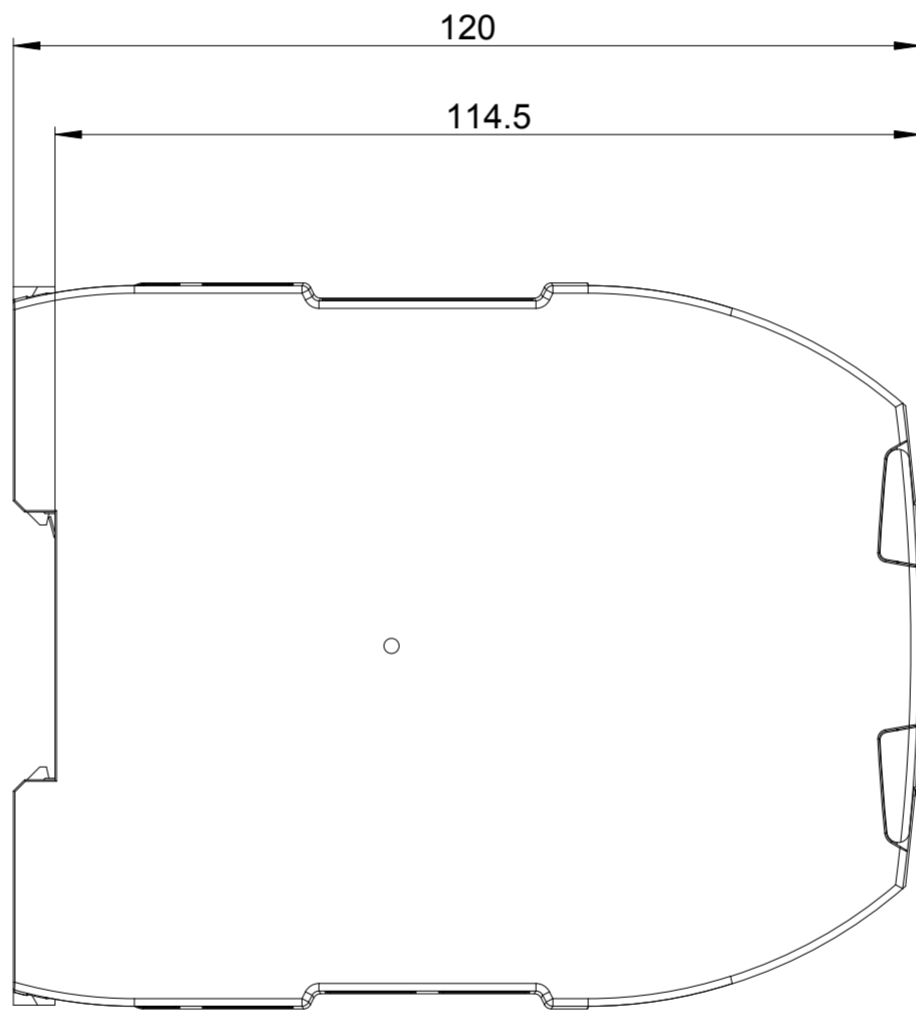
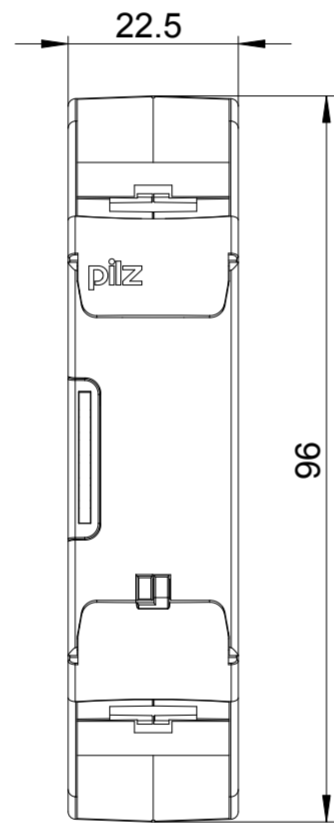
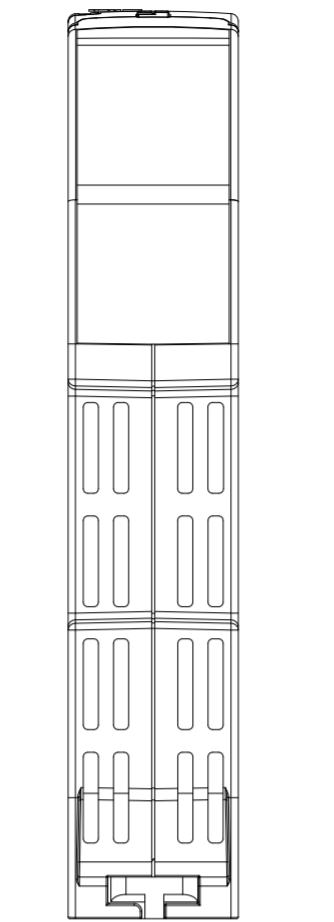
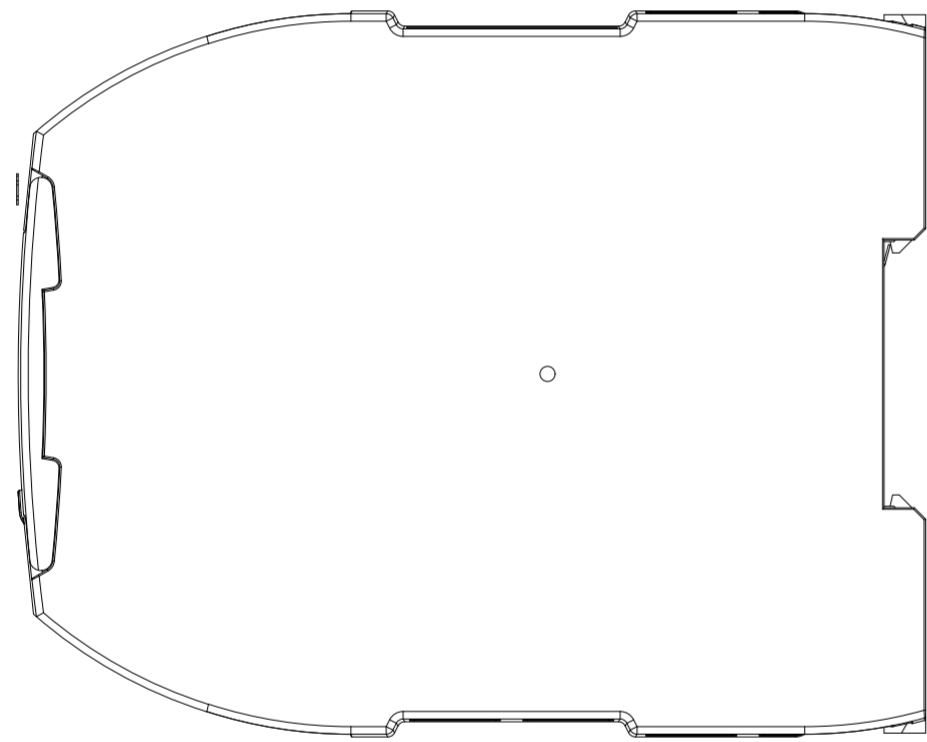


1 2 3 4 5 6 7 8

A B C D E F



A	20150392	15.02.2016	EP-MK	EP-MK	Step/lges hinzu		
Index	ECO no.	Date	Editor	Checked	Step/lges added		
Scale	1:1			Date	Name	MODEL: 2012732 DRW: 2012733	
Material			Created	02.04.2013	EP-MK	Internet Dokument P05/22,5 2 Internet document P05/22,5 2 P05/22,5 2	
			Checked	02.04.2013	EP-MK		
			Norm	-	-		
Surface			All dimensions are in mm			Doc.-No. 2012733	Page 1
			Unspecified tolerance			Mat.-No. -	of 1

Observe protection note to DIN 34

